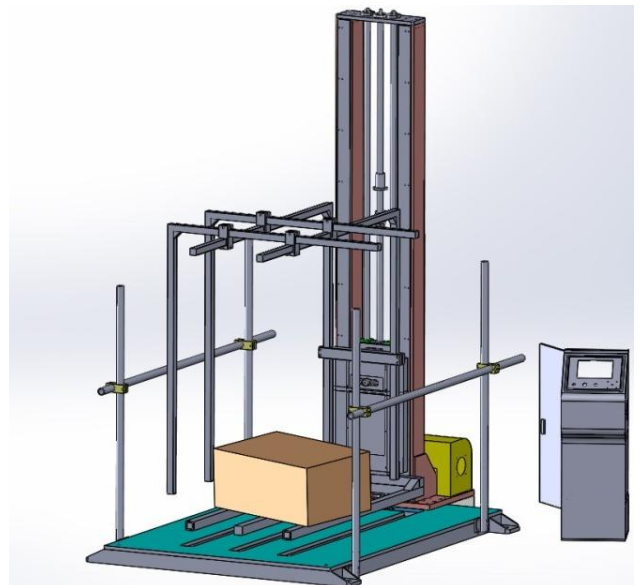
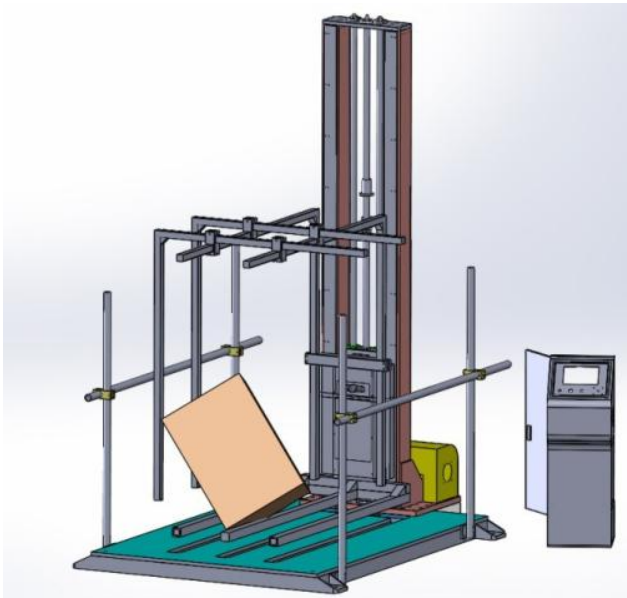


HD-A520 Zero drop test machine

EQUIPMENT DETAILS



GENERAL SPECIFICATIONS

Packaging Dimensions: (WxDxH) 3000*2000*2100mm
Power supply source: Three-phase, 220V±10%, 50/60Hz
Gross Weight: 2872kkg

PRODUCT DESCRIPTION

During the products handling or transport process, there may be drop/ fall, which results in damage within the products. And this device simulates the drop/ fall situation of a finished product to evaluate the damage. This Drop Tester is mainly used to test angles, faces and corners of package.

STANDARD SPECIFICATIONS

Sample max. load	600KG(can be customized)
Test space	1200*1200mm(can be customized)
Drop height	0-1000mm (Adjustable)
Drop test	Corners, edges , faces of sample
Drive mode	Motor drive
Protection device	Induction type protection device
Panel material	45# steel, solid steel plate
Arm material	45# steel
Height display	Digital
Operate mode	PLC
Driving mode	Taiwan Linear slider and copper guide
Drop method	Electromagnetic and pneumatic comprehensive support
Package	Strong wooden case

FACTORY DETAILS



Cutting machine



Bending machine



In Stock



In Stock



Show Room



Show Room

ABOUT HAIDA



Our Mission: To be your lab consultant

We enable our customers to accelerate their expertise in developing World Class Products. We are providing high quality of testing consultant service on different industry with our equipment.

PART OF OUR COOPERATED PARTNERS

